

User Manual



Tuning solutions



Product features

1. Wireless/wired carplay, Android auto available
2. Support wireless/wired phone mirroring
3. Compatible with OEM microphone
4. USB multimedia available
5. External rear camera, front camera can be linked
6. Support EQ adjustment, lossless sound quality
7. Working with steering wheel button and idrive system

Accessories

For Benz NTG4.5



Power cable



LVDS cable



Wifi antenna



USB Cable

For Benz NTG5.0



Power cable



LVDS cable



Wifi antenna



USB Audio Box

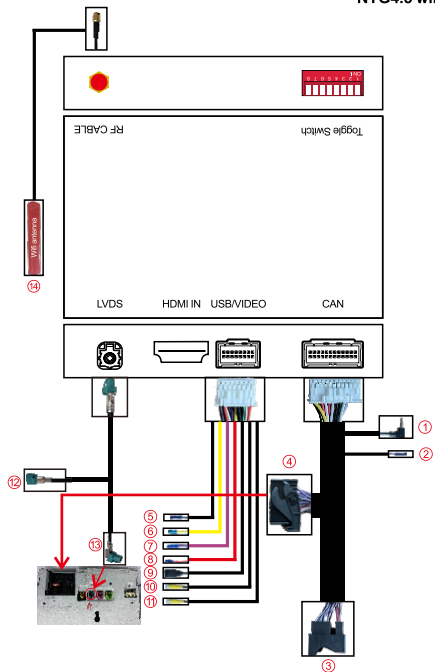


USB Cable

DIP code setting

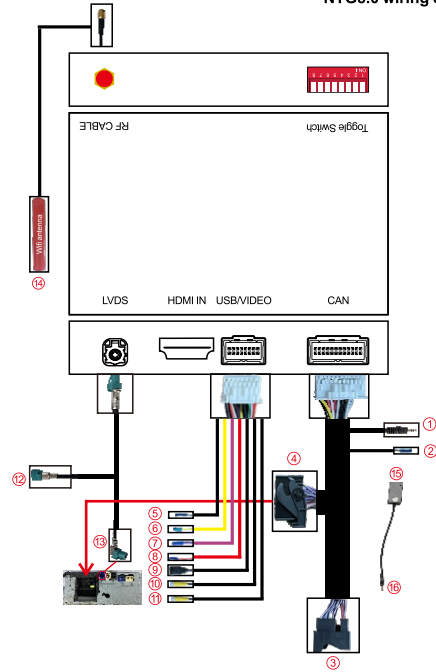
BOX label	System	Screen size	DIP switch	
4.X	NTG 4.5	5.8	00101101	
		5.8	00101001	
		7	00100101	
5X	NTG5.0/5.1	6.3	00001001	
		7	00000001	
		8.4(800*480)	00000001	
		8.4(960*525)	00001101	
		12.3	00000101	
		6.3	00011001	
	NTG 4.7	7	00010001	
		8.4(800*480)	00010001	
		8.4(960*525)	00011101	
		12.3	00010101	
		6.3	00111001	
		7	00110001	
NTG 4.8	8.4(800*480)	00110001		
	8.4(960*525)	00111001		
	12.3	00110101		
	6.3	00111001		

NTG4.5 wiring connections



- ① Connect to AUX port on the car (only needed when no sound)
- ② Audio GND
- ③ Connect to original power cable unplugged from the head unit
- ④ Connect to the head unit
- ⑤ Ground
- ⑥ Reverse camera power supply
- ⑦ Reverse detection 12V
- ⑧ 12V ACC OUT
- ⑨ USB port
- ⑩ Reverse camera cvbs input
- ⑪ Front camera cvbs input
- ⑫ Connect to the LVDS port on the head unit
- ⑬ Connect with the OEM LVDS cable
- ⑭ Wifi antenna, place it away from metal and close to the phone

NTG5.0 wiring connections

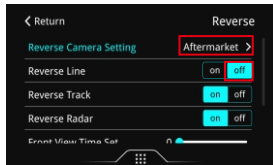


- ① Connect to AUX port on the car
- ② Connect with mic adapter cable
- ③ Connect to original power cable unplugged from the head unit
- ④ Connect to the head unit
- ⑤ Ground
- ⑥ Reverse camera power supply
- ⑦ Reverse detection 12V
- ⑧ 12V ACC OUT
- ⑨ USB port
- ⑩ Reverse camera cvbs input
- ⑪ Front camera cvbs input
- ⑫ Connect to the LVDS port on the head unit
- ⑬ Connect with the OEM LVDS cable
- ⑭ Wifi antenna, place it away from metal and close to the phone
- ⑮ Connect to the AUX port (Port ①) on CAN power cable
- ⑯ Connect to the USB port on the car

Reverse camera connection

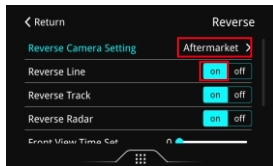
Automatic transmission

1. Connect the reverse camera to CVBS labeled 'Reverse camera'
2. Connect the cable labeled '12V Reverse camera' to camera power
3. Setting→Reverse→Reverse camera→Aftermarket



Manual transmission

1. Connect the reverse camera to CVBS labeled 'Reverse camera'
2. Connect the purple cable labeled 'BACK' to camera power
3. Connect the two red cables from the camera to the reverse light and the black cable to ground
4. Setting→Reverse→Reverse camera→Aftermarket



Wireless Car Play connection

1. Turn on Wifi on the phone
2. Turn on Bluetooth on the phone
3. Search Car Play's Bluetooth 'Car Play xxx'
4. After Bluetooth pairing is successful, click 'Allow', 'Use Car Play' in turn, then Car Play connected successfully

Wireless Android auto connection

1. Turn on Wifi on the phone

2. Turn on Bluetooth on the phone
3. Enter 'Car Play' APP when switching to Car Play system
4. Search the Bluetooth of the phone
5. Choose any one of the options on the car end to pair
6. The pairing request pops up on the phone, select 'Pair'

Wired Android auto connection

1. Enter 'WireAuto' APP when switching to Car Play system
2. Pop up the prompt 'Please connect your Android device'
3. Plug the Android phone to USB port by USB charging cable, then Android auto can be connected successfully

Note: if you have connected Car Play before, please disconnect Car Play wifi first

Wired Autolink connection

1. Download and install 'Autolink' APP on the Android phone
2. Plug the Android phone to USB port of the Car Play box by USB charging cable
3. Open Autolink and allow all the permissions, then can connect Autolink successfully

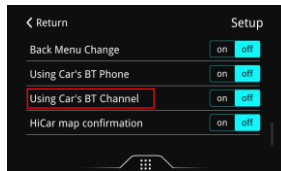
Wireless Airplay connection

1. Select 'Airplay' APP on the car, then the pairing information with the phone will be displayed
2. Search wifi signal of Airplay and enter password 8888888 to pair
3. Swipe the screen up and down on the mobile phone and find the screen mirroring in the task bar
4. Click 'airplay' to search the the signal of Car Play box

Use original car's Bluetooth channel

1. Turn on setting 'Use original car's BT channel'
2. Search and connect original car's BT on phone first
3. Search and connect carplay's BT 'EW-CPXXX'
4. After connecting, the sound of carplay will output by original car's BT instead of AUX

Notes: Screen mirroring and USB audio-video functions will not have audio output when using this function.



Description of the function of the original buttons



1. Answer/ hang up the call
2. Wake up Siri or Google Assistant
- 3/5. Short press: back to previous menu level. Long press 3-5s: restart the carplay box
- 4/6. Long press 3s to switch the system
7. Move the pointer up and down
8. Short press indicates the confirmation function, long press to wake up Siri in carplay interface

FAQ

1. No sound when connecting Carplay

For NTG4.5

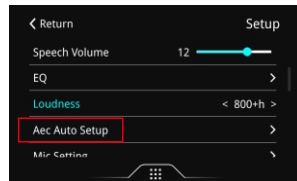
- 1) Transfer fiber cable
- 2) Set AUX output on OEM system (if no aux option, you need to activate AUX first)
- 3) Connect cable labeled 'Audio GND' on CAN cable with 'GND' cable on AV-USB cable together
- 4) If still no sound, connect AUX cable or AMI cable (depending on the port on your car) to your car

For NTG5.0

- 1) Connect USB audio box referring the wiring connections
- 2) Set USB audio on OEM system
- 3) Connect cable labeled 'Audio GND' on CAN cable with 'GND' cable on AV-USB cable together

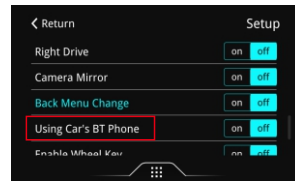
2. How to solve the echo when calling?

- 1) Dial any phone number, and keep the phone on
- 2) Enter "Setup", next is "Audio" and select "Aec Auto Setup"
- 3) Until the screen prompts "Finished", then hang up and the setup is complete



3. When cannot answer the call by idrive

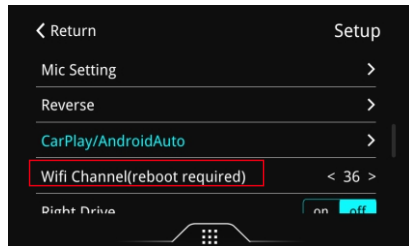
- 1) Turn off the Bluetooth connection with original bluetooth
- 2) Turn off the setting "Use car's BT phone"



4. When Carplay fails to connect or disconnects or black screen

Check as the following steps:

- 1) Restore network settings on the phone
- 2) Go to "WirelessDev" and then "BT Reset"
- 3) Check if the antenna is away from metal and close to the phone
- 4) Change the wifi channel, restart takes effect
- 5) Clear the Bluetooth connection record, re-pair and reconnect



5. When the OEM MIC can't work on Carplay

- 1) Turn off the Bluetooth connection with original bluetooth
- 2) Connect mic adapter cable(provided) with OEM MIC